



简介

BO系列一体式仪表球阀设计应用于过程控制和仪表管路系统中，作为流体开关或方向控制使用。独特的一体式球形阀杆设计，确保优越的密封性能和使用寿命。

该系列球阀分为两通阀和三通阀，可选择黄铜和不锈钢材质，并具有多种接口型式。

Introduction

BO series one-piece instrumentation ball valves are designed for positive shut off or directional control of fluids in process and instrumentation applications. The unique one-piece ball stem design insures excellent sealing characteristics and cycle life.

These valves are available in 2-way and 3-way configurations, brass and stainless steel construction, with a wide variety of port connections.

特点

- 一体式球形阀杆，确保优越的密封性能和使用寿命。
- 顶部负载设计，允许对阀门在线调整
- 容许双向流动
- 阀体内无死区，易于清洁和清洗
- 指向性手柄指示流体流向
- 连接型式多样
- 可盘式安装
- 100%工厂试验

Features

- One-piece ball stem, insures excellent sealing characteristics and cycle life.
- Top-loaded design, allows adjustment with the valve in-line.
- Allows bidirectional flow
- Valve body has no dead space, it is easily cleaned and purged.
- Directional handle indicates direction of flow
- Various of port connections
- Panel mounting available
- 100% factory tested

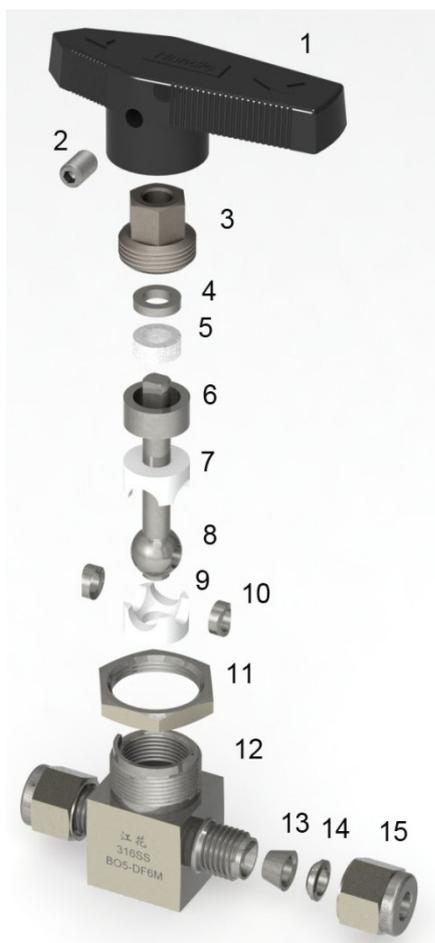
技术规范

- 压力额定值: PN16.0MPa
- 温度额定值: -54~150°C
- 球孔直径: 3.2~9.0 mm
- 阀体材质: 不锈钢, 黄铜
- 阀体结构型式: 两通阀 (直通和角式)、三通阀
- 接口型式:
 - 双卡套 (米制管和英制管)
 - NPT螺纹 (外螺纹和内螺纹)
 - BSP螺纹 (外螺纹和内螺纹)

Specification

- Pressure rating: PN16.0MPa
- Temperature rating: -54°C to 150°C
- Ball orifice: 3.2 to 9.0 mm
- Body materials: Stainless Steel and Brass
- Body configurations: 2-way (in-line and angle) and 3-way.
- Port connections:
 - Double ferrules(Metric tube and fractional tube)
 - NPT(Male/Female)
 - BSP(Male/Female)

结构材料 Materials of Construction



序号 No	部件 Components	阀体材料 Material		
		304SS	316SS	黄铜 Brass
1	手柄 Handle	塑料 Plastic		
2	紧定螺钉 Set screw	不锈钢 Stainless Steel		
3	填料螺栓 Packing bolt	304SS	316SS	黄铜 Brass
4	上压盖 Upper gland	304SS	316SS	黄铜 Brass
5	衬套 Bushing	聚四氟乙烯 PTFE		
6	下压盖 Lower gland	304SS	316SS	黄铜 Brass
7	上填料 Upper packing	聚四氟乙烯 PTFE		
8	球阀杆 Ball stem	304SS	316SS	黄铜 Brass
9	下填料 Lower packing	聚四氟乙烯 PTFE		
10	密封环 Sealing ring	304SS	316SS	黄铜 Brass
11	面板螺母 Panel nut	304SS		黄铜 Brass
12	阀体 Body	304SS	316SS	黄铜 Brass
13	前卡套 Front ferrule	304SS	316SS	黄铜 Brass
14	后卡套 Back ferrule	304SS	316SS	黄铜 Brass
15	卡套螺母 Ferrule nut	304SS	316SS	黄铜 Brass

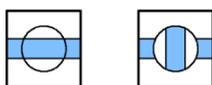
二通开关阀门 2-Way On-Off Valves

流道型式：适用于开关功能的直通型和角型

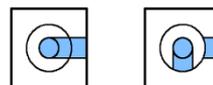
Flow Patterns : Straight and Angle Patterns for On-Off Service

直通型 Straight Pattern

角型 Angle Pattern



开 On 关 Off



开 On 关 Off

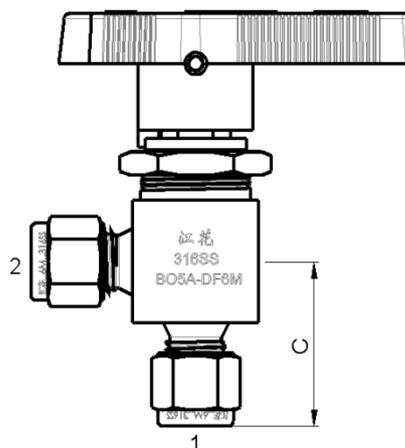
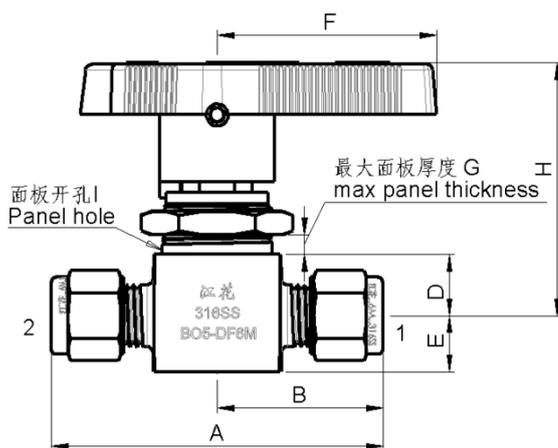
尺寸 Dimensions

尺寸仅供参考, 可能变动。

Dimensions are for reference only and are subject to change.

直通型 Straight Pattern

角型 Angle Pattern



注：3.2mm 最小面板厚度。

Note: 3.2 mm, minimum panel thickness.

二通阀规格尺寸表 Table of model and dimensions

基本型号 Basic Model	端接 End Connections		孔径 Orifice	尺寸 size (mm)									
	端口 1 Port 1	端口 2 Port 2		A	B	C	D	E	F	G	H	I	
BO3(A)-DF6M	双卡套公制管 6mm Double ferrules for metric tube		3.2	56.0	28.0	27.0	9.0	8.0	32.0	4.5	36.3	16.5	
BO5(A)-DF6M			4.8	60.5	30.3	29.5	11.0		40.0	4.8	45.3	20.5	
BO5(A)-DF8M	双卡套公制管 8mm Double ferrules for metric tube		4.8	62.5	31.2	30.7							
BO7(A)-DF10M	双卡套公制管 10mm Double ferrules for metric tube		7.1	72.9	36.4	34.9	14.0		48.0	9.5	56.3	26.5	
BO9(A)-DF12M	双卡套公制管 12mm Double ferrules for metric tube		9.0	79.6	39.8	37.8	15.5		61.0	11.5	62.0	30.5	
BO3(A)-DF1/4	双卡套英制管OD1/4" Double ferrules for fractional tube		3.2	56.0	28.0	27.0	9.0	8.0	32.0	4.5	36.3	16.5	
BO5(A)-DF1/4			4.8	60.5	30.3	29.5	11.0		40.0	4.8	45.3	20.5	
BO7(A)-DF3/8	双卡套英制管OD3/8" Double ferrules for fractional tube		7.1	72.9	36.4	34.9	14.0		48.0	9.5	56.3	26.5	
BO9(A)-DF1/2	双卡套英制管OD1/2" Double ferrules for fractional tube		9.0	79.6	39.8	37.8	15.5		61.0	11.5	62.0	30.5	
BO3(A)-FN1/8	NPT1/8 内螺纹 Female NPT		3.2	41.0	20.5		9.0	8.0	32.0	4.5	36.3	16.5	
BO5(A)-FN1/8			4.8	45.0	22.5		11.0		40.0	4.8	45.3	20.5	
BO5(A)-FN1/4	NPT1/4 内螺纹 Female NPT		4.8	51.0	25.5								
BO7(A)-FN1/4			7.1	58.0	29.0		14.0		48.0	9.5	56.3	26.5	
BO7(A)-FN3/8	NPT3/8 内螺纹 Female NPT		7.1	58.0	29.0		14.0		48.0	9.5	56.3	26.5	
BO9(A)-FN1/2	NPT1/2 内螺纹 Female NPT		9.0	72.0	36.0		15.5		61.0	11.5	62.0	30.5	
BO5(A)-Rc1/4	Rc1/4 内螺纹 Female BSP		4.8	51.0	25.5		11.0		40.0	4.8	45.3	20.5	
BO7(A)-Rc3/8	Rc3/8 内螺纹 Female BSP		7.1	58.0	29.0		14.0		48.0	9.5	56.3	26.5	
BO9(A)-Rc1/2	Rc1/2 内螺纹 Female BSP		9.0	72.0	36.0		15.5		61.0	11.5	62.0	30.5	
BO5(A)-N1/4	NPT1/4 外螺纹 Male NPT		4.8	51.6	25.8	25.3	11.0	40.0	4.8	45.3	20.5		
BO5(A)-N1/4-DF6	NPT1/4 外螺纹 Male NPT	双卡套公制管 6mm		56.1	30.3								
BO5(A)-N1/4-DF8		双卡套公制管 8mm		57.0	31.2								
BO5(A)-N1/4-DF1/4		双卡套英制管 OD1/4"		56.1	30.3								
BO5-FN1/4-DF8M		NPT1/4 内螺纹 Female NPT		双卡套公制管 8mm	56.7								25.5
BO5-UBW10-DF8M	活接对焊管接头 UBW10	双卡套公制管 8mm		82.7	51.5								—

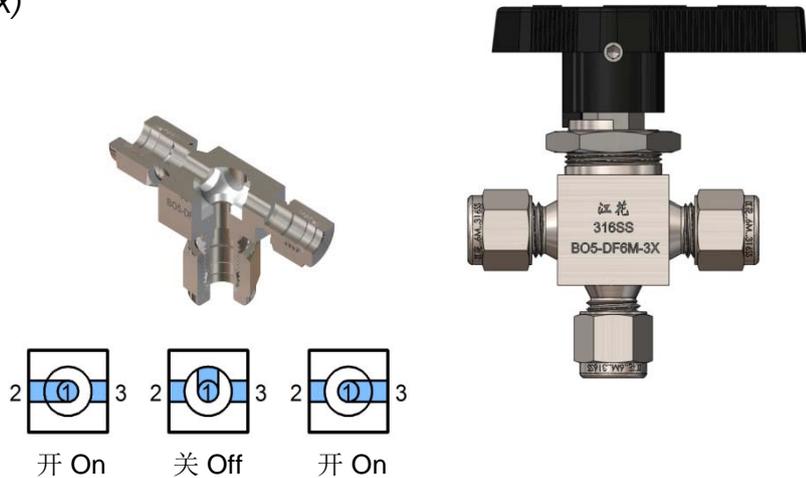
三通切换阀门 3-Way Switching Valves

开关切换功能 (3X)

On-Off Switching Service (3X)

中间关闭位置

Center-Off Position

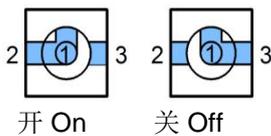


可选流动路径

Flow Path Options

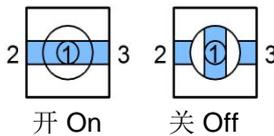
L 型流动路径

L Flow Path



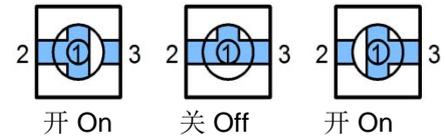
H 型流动路径

H Flow Path



HL 型流动路径

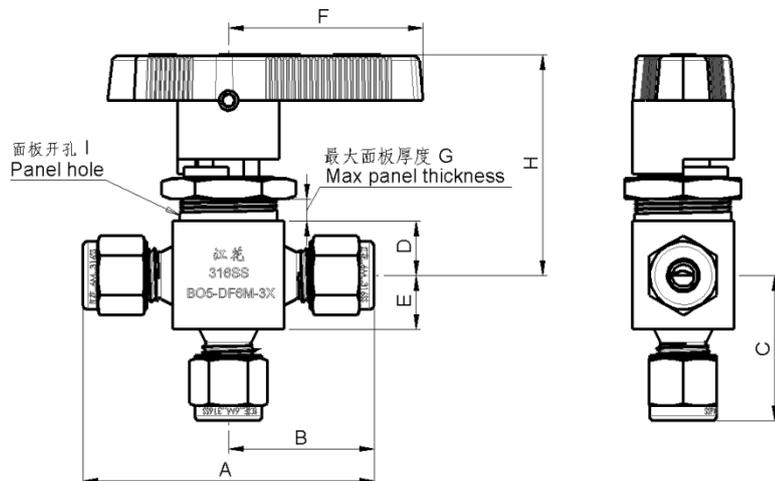
HL Flow Path



尺寸 Dimensions

尺寸仅供参考, 可能变动。

Dimensions are for reference only and are subject to change.



注: 3.2mm 最小面板厚度。

Note: 3.2 mm, minimum panel thickness.

三通切换阀规格尺寸表
Table of model and dimensions

基本型号 Basic Model	端接 End Connections	孔径 Orifice	尺寸 size (mm)								
			A	B	C	D	E	F	G	H	I
BO3-DF6M	双卡套公制管 6mm Double ferrules for metric tube	3.2	56.0	28.0	27.0	9.0	8.0	32.0	4.5	36.3	16.5
BO5-DF6M		4.8	60.5	30.3	29.5	11.0		40.0	4.8	45.3	20.5
BO5-DF8M	双卡套公制管 8mm Double ferrules for metric tube	4.8	62.5	31.2	30.7	11.0		40.0	4.8	45.3	20.5
BO7-DF10M	双卡套公制管 10mm Double ferrules for metric tube	7.1	72.9	36.4	34.9	14.0		48.0	9.5	56.3	26.5
BO9-DF12M	双卡套公制管 12mm Double ferrules for metric tube	9.0	79.6	39.8	37.8	15.5		61.0	11.5	62.0	30.5
BO3-DF1/4	双卡套英制管OD1/4" Double ferrules for fractional tube	3.2	56.0	28.0	27.0	9.0	8.0	32.0	4.5	36.3	16.5
BO5-DF1/4		4.8	60.5	30.3	29.5	11.0		40.0	4.8	45.3	20.5
BO7-DF3/8	双卡套英制管OD3/8" Double ferrules for fractional tube	7.1	72.9	36.4	34.9	14.0		48.0	9.5	56.3	26.5
BO9-DF1/2	双卡套英制管OD1/2" Double ferrules for fractional tube	9.0	79.6	39.8	37.8	15.5		61.0	11.5	62.0	30.5
BO3-FN1/8	NPT1/8 内螺纹 Female NPT	3.2	41.0	20.5		9.0	8.0	32.0	4.5	36.3	16.5
BO5-FN1/8		4.8	45.0	22.5		11.0		40.0	4.8	45.3	20.5
BO5-FN1/4	NPT1/4 内螺纹 Female NPT	4.8	51.0	25.5		11.0		40.0	4.8	45.3	20.5
BO7-FN1/4		7.1	58.0	29.0		14.0		48.0	9.5	56.3	26.5
BO7-FN3/8	NPT3/8 内螺纹 Female NPT	7.1	58.0	29.0		14.0		48.0	9.5	56.3	26.5
BO9-FN1/2	NPT1/2 内螺纹 Female NPT	9.0	72.0	36.0		15.5		61.0	11.5	62.0	30.5
BO5-Rc1/4	Rc1/4 内螺纹 Female BSP	4.8	51.0	25.5		11.0		40.0	4.8	45.3	20.5
BO7-Rc3/8	Rc3/8 内螺纹 Female BSP	7.1	58.0	29.0		14.0		48.0	9.5	56.3	26.5
BO9-Rc1/2	RC1/2 内螺纹 Female BSP	9.0	72.0	36.0		15.5		61.0	11.5	62.0	30.5

一体式仪表球阀

One-Piece Instrumentation Ball Valves

订购须知 Ordering information

阀门系列 Series	阀体型式 Body patten	端接1 型式 Connection 1 Type		尺寸 Size	端接2, 3 型式 Connection 2, 3 Type	尺寸 Size	流动路径 Flow Pattern		阀体材料 Body Material		锁定片 Lock Piece	
BO3	A 直通阀 straight 角式阀 Angle	FN	NPT内螺纹 Female NPT	1/8", 1/4", 3/8", 1/2"	与进口相同 Same as inlet 标识方法同进口型式和尺寸 Specify in the same way as inlet Type and inlet size		3X	三通切换 (中间关闭) 3-Way Switching Service	S1	321SS	L	无
BO5		Rc	BSPT内螺纹 Female BSPT	1/8", 1/4", 3/8", 1/2"			3L	三通切换 (无关闭) 3-Way Switching Service	S4	304SS		锁定片 Lock Piece
BO7		DF	双卡套(米制管) Double ferrule (Metric tube)	6M, 8M, 10M, 12M			3H	三通开关 3-Way On-of Service	S6	316SS		
BO9		DF	双卡套(英制管) Double ferrule (Fractional tube)	1/4", 3/8", 1/2"			3HL	三通切换 (中间全开) 3-Way Switching Service	S6L	316L		
		N	NPT外螺纹 Male NPT	1/8", 1/4", 3/8", 1/2"			CS	碳钢 Carbon steel				
		R	BSPT外螺纹 Male BSPT	1/8", 1/4", 3/8", 1/2"			M	合金 400 Alloy 400				
	UBW	活接对焊 Union butt weld	10,12,14	B	黄铜 Brass							

镇江市华阳机电制造有限公司

电话:0511-88431885 传真:0511-88431333

E-mail:huayang@vip.163.com